

0161 / 0162

Diaphragm / piston pressure switches up to 250 V

- Aluminium housing
- Changeover with silver contacts
- Overpressure safety up to 200 / 600 bar¹⁾
- Socket device similar to DIN EN 175301 (DIN 43650)
- Hysteresis adjustable at factory

p _{max.} in bar	Adjustment range in bar	Tolerance in bar at room temperature	Dimension A in mm	Order number:
-----------------------------	----------------------------	---	----------------------	---------------

With female G 1/4 thread

0161 Diaphragm pressure switches

200 ¹⁾	0.5 – 1	±0.2	15	0161 – 436 14 – X – 001
	0.5 – 5	±0.2 – 0.5		0161 – 437 14 – X – 001
	1 – 10	±0.5		0161 – 438 14 – X – 001
	10 – 50	±3.0		0161 – 439 14 – X – 001
	50 – 100	±3.0 – 5.0		0161 – 440 14 – X – 001

0161 Piston pressure switches

600 ¹⁾	100 – 400	±5.0 – 9.0	19.5	0161 – 441 14 – X – 001
-------------------	-----------	------------	------	-------------------------

Block style (with O-ring NBR 5 x 1.5 mm)

0162 Diaphragm pressure switches

200 ¹⁾	0.5 – 1	±0.2	15	0162 – 436 14 – X – 001
	0.5 – 5	±0.2 – 0.5		0162 – 437 14 – X – 001
	1 – 10	±0.5		0162 – 438 14 – X – 001
	10 – 50	±3.0		0162 – 439 14 – X – 001
	50 – 100	±3.0 – 5.0		0162 – 440 14 – X – 001

0162 Piston pressure switches

600 ¹⁾	100 – 400	±5.0 – 9.0	19.5	0162 – 441 14 – X – 001
-------------------	-----------	------------	------	-------------------------

Seal material – Application areas

NBR	Hydraulic/machine oil, heating oil, air, nitrogen, etc.	1
EPDM	Brake fluid, hydrogen, oxygen, acetylene, etc.	2
FKM	Hydraulic fluids (HFA, HFB, HFD), petrol/gasoline, etc.	3

Refer to page 75 for the temperature range and application thresholds of sealing materials

Your order number: 016X – XXX 14 – X – XXX

1 Adjusting the set point

To adjust the set point, undo the locknut and adjust the set screw using a screwdriver. Clockwise screwing increases the switching pressure. After adjusting, tighten the locknut again.

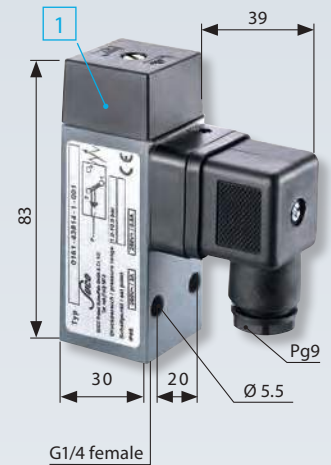
¹⁾ Static value. Dynamic value is 30-50 % lower. Values pertain to the hydraulic/pneumatic part of the pressure switch.

M.7

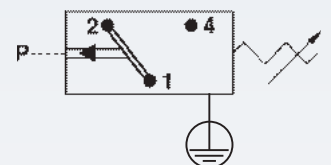
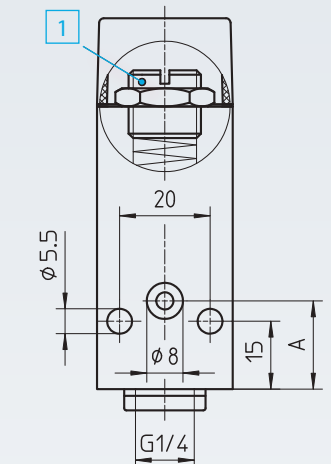
30 A/F



0161 with female thread



0162 Block style



M