

# 0150

## Vacuum switch up to 250 V with changeover contact

- Aluminium housing
- Operating voltage up to 250 V
- Changeover with silver contacts
- Overpressure safety up to 20 bar<sup>1)</sup>
- Socket device similar to DIN EN 175301 (DIN 43650)
- Hysteresis approx. 50 – 150 mbar (cannot be changed)

P <sub>max.</sub> in bar	Adjustment range in mbar (relative)	Tolerance in mbar at room temperature	Thread	Order number
-----------------------------	--	--	--------	--------------

### 0150 Vacuum switch

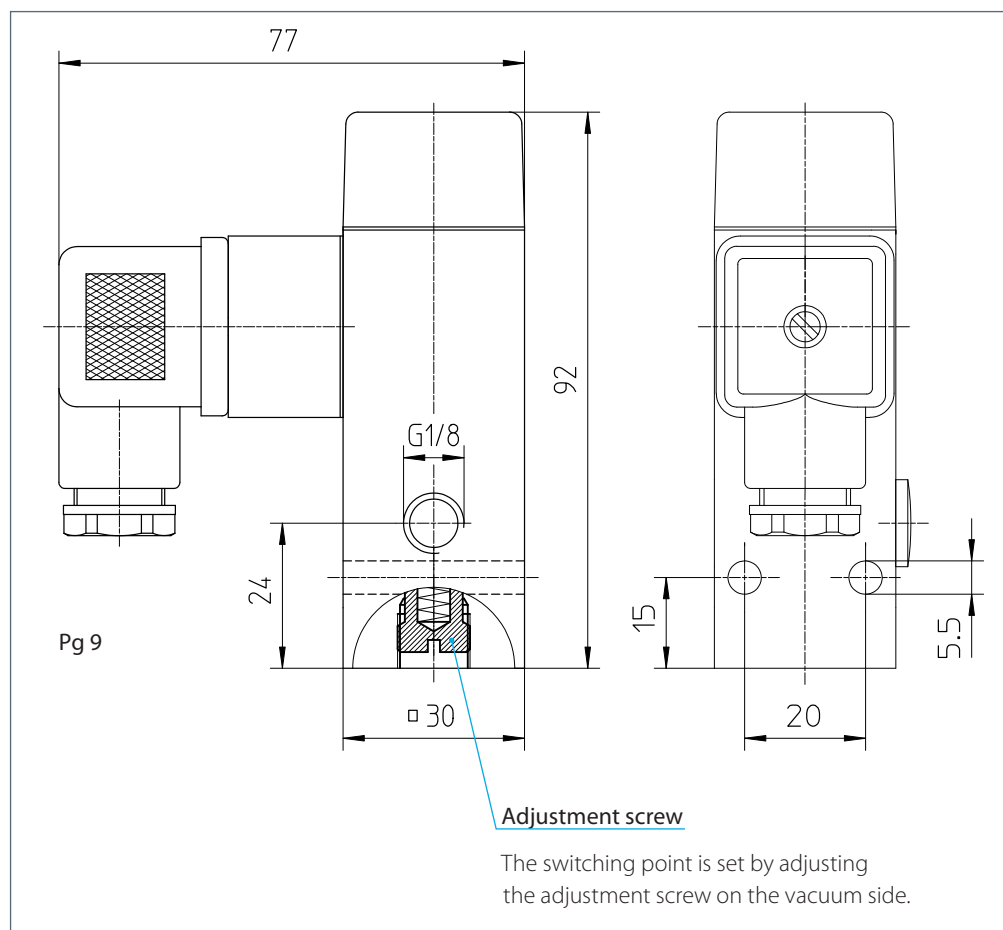
20 <sup>1)</sup>	100 – 950	± 50	G 1/8 female	0150 – 456 15 – 4 – 001
------------------	-----------	------	--------------	-------------------------

### Seal material – Application areas

ECO	Air, oils, greases, fuel/gasoline	4
-----	-----------------------------------	---

Temperature resistance: -20°C ... +100°C

**Your order number:** 0150 – 456 15 – 4 – 001



<sup>1)</sup> Static value. Dynamic value is 30-50 % lower. Values pertain to the hydraulic/pneumatic part of the pressure switch.