

Menu-controlled electronic pressure switches

display



- Menu-controlled, simple programming of switching functions
- 2 switching outputs and 1 analogue output
- Numerous programming functions, such as
 - switching time delay
 - zero point reset
 - peak value memory
 - switching point counter
- Current pressure value and switching states shown on 3-digit display
- Very high switching currents up to 1.4 A

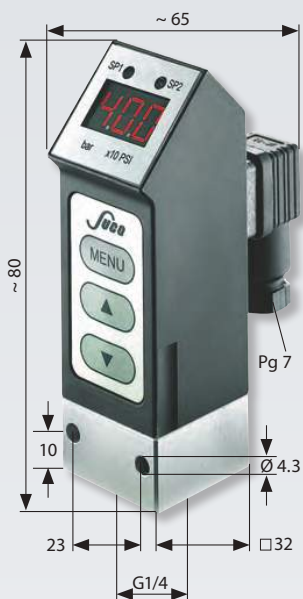
Technical details

Type:	0570 Electronic pressure switches	
Switching function:	NC/NO, programmable, 2 switching points, switching time delay, zero point reset, peak value memory (within adjustment range), switching point counter	
Settings:	Programmable using keypad on front	
Outputs:	2 transistor outputs (each 1.4 A DC12 / PNP) 1 analogue output (4 – 20 mA)	
Supply voltage U_B :	12 – 30 VDC	
Switching status display:	2 LEDs (yellow)	
Pressure display:	Current pressure displayable in bar or PSI on 3-digit LED (red)	
Life expectancy:	5,000,000 pulsations at rise rates to 1 bar/ms at p_{nom}	
Pressure rise rate:	≤ 1 bar / ms	
Switching time:	< 4 ms	
Switching time delay:	Adjustable between 0 and 3.0 s	
Hysteresis:	1 – 99 % FS, programmable from keypad	
Accuracy:	± 0.5 % (FS at room temperature)	
Accuracy, display:	± 0.5 % (FS at room temperature) ± 2 digits	
Temperature drift:	± 0.2 % / 10 °C	
Temperature range:	NBR, EPDM, FKM -20 °C ... +80 °C	
Compensated temperature range:	0 °C ... +70 °C (32 °F ... 158 °F), total error $\leq \pm 2$ %	
Housing material:	die-casted zinc	
Wetted parts material	Housing:	zinc-plated steel
	Measuring cell:	Ceramic
	Seal material:	NBR, EPDM or FKM
Vibration resistance:	10 g at 5 ... 2000 Hz sine wave; DIN EN 60068-2-6	
Shock resistance:	294 m/s ² ; 11 ms half sine wave; DIN EN 60068-2-27	
Protection class:	IP65	
EMV:	acc. to EN 50081-1, EN 50081-2, EN 50082-2	
Weight:	approx. 340 g	
Access pin:	The switch can be protected with a pin between 1 and 999	

0570

Electronic pressure switches

- Anodised aluminium and die-casted zinc
- Ceramic measuring cell in thick-film technology
- Supply voltage 12 ... 30 VDC
- Overpressure protection to 20 / 150 / 600 bar¹⁾
- Programmable using keypad on front
- Switching time delay (setting from 0 to 3 s)
- Peak value memory (within the measurement range)
- Pin protection possible to prevent misuse
- Socket device included



pmax. in bar	Burst pressure in bar	Adjustment range in bar	Thread	Order number:
--------------	-----------------------	-------------------------	--------	---------------

0570 Electronic switches

20 ¹⁾	25	0 – 10	G 1/4 female	0570 – 467 14 – X – 001
150 ¹⁾	175	0 – 100		0570 – 468 14 – X – 001
600 ¹⁾	700	0 – 400		0570 – 469 14 – X – 001

Seal material – Application areas

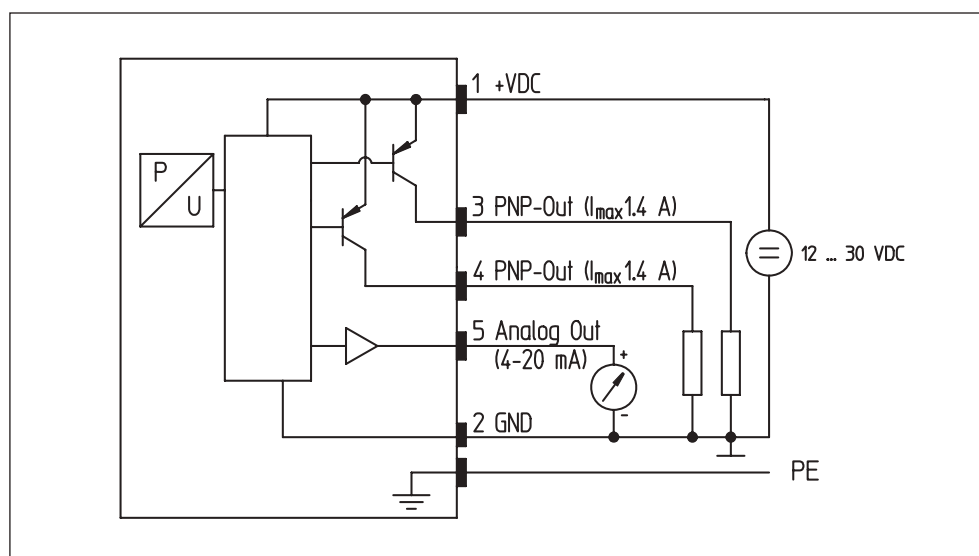
NBR	Hydraulic/machine oil, heating oil, air, nitrogen, etc.	1
EPDM	Bremsflüssigkeit, Wasserstoff, Ozon, Azetylen, usw.	2
FKM	Hydraulic fluids (HFA, HFB, HFD), petrol/gasoline, etc.	3

Refer to page 119 for the temperature range and application thresholds of sealing materials



Ihre Order number: **0570 – XXX 14 – X – 001**

Wiring chart



¹⁾ Static pressure, dynamic pressure 30 to 50% lower. Values refer to the hydraulic or pneumatic part of the electronic pressure switch.